

WASTE OIL SUCTION UNIT

PART NO 317-46 / ART.NR. 317-46



2009-12

SERVICE GUIDE



General

Unit to be installed in the oil change area and make suction directly from vehicle engine. Once the suction hose is connected to the vehicle dipstick tube, just by pressing a button and setting time, the start / stop is made. The waste oil is driven to the general waste oil tank.

A pump's ability to deliver fluid is based on the pressure (bar/psi) and quantity of air supplied to the air-motor and the amount of material discharge (back) pressure to be overcome within the system.

WARNING! Do NOT use solvents or other explosive fluids. An explosion can result in the pump when aluminium and zinc parts come in contacts with certain solvents. Never point a control valve at any portion of your body or another person. Accidental discharge of pressure and/or material can result in injury. Read these instruction carefully before installation, operation or service.

DO NOT EXCEED MAXIMUM PRESSURE

WARNING:

ONLY FOR OIL EXTRACTION FROM VEHICLES THROUGH THE DIPSTICK TUBE.

Water based fluids (e.g.: windshield washer, coolant, battery acid, brake fluid, etc...) will cause pump failure.

- OIL MUST BE WARM TO HOLD CONTAMINATES IN SUSPENSION (min. 70°C)
- AVOID EXCESSIVE DRY RUNNING.
- CLEAN MESH STRAINER IN FILTER WEEKLY
- ASSURE STRAINER O-RING IS PROPERLY SEALED, OTHERWISE VACUUM WILL FAIL.

TECHNICAL DATA / TEKNISKA DATA

| PART NO / ART.NR / ART.-NR | 317-46 |
|--------------------------------|-------------------|
| Maximum air pressure | 5 bar |
| Oil suction hose | 1/2" |
| Oil suction hose length | 4 m |
| Oil outlet hose | 3/4" |
| Air inlet | 1/4" BSP (F/Inv.) |
| Fluid outlet | 3/4" BSP (F/Inv.) |
| Air consumption @ 5 bar | 100L/min |
| Minimum - maximum suction time | 5 / 15 min |

WASTE OIL SUCTION UNIT

PART NO 317-46 / ART.NR. 317-46

INSTALLATION / MONTERING

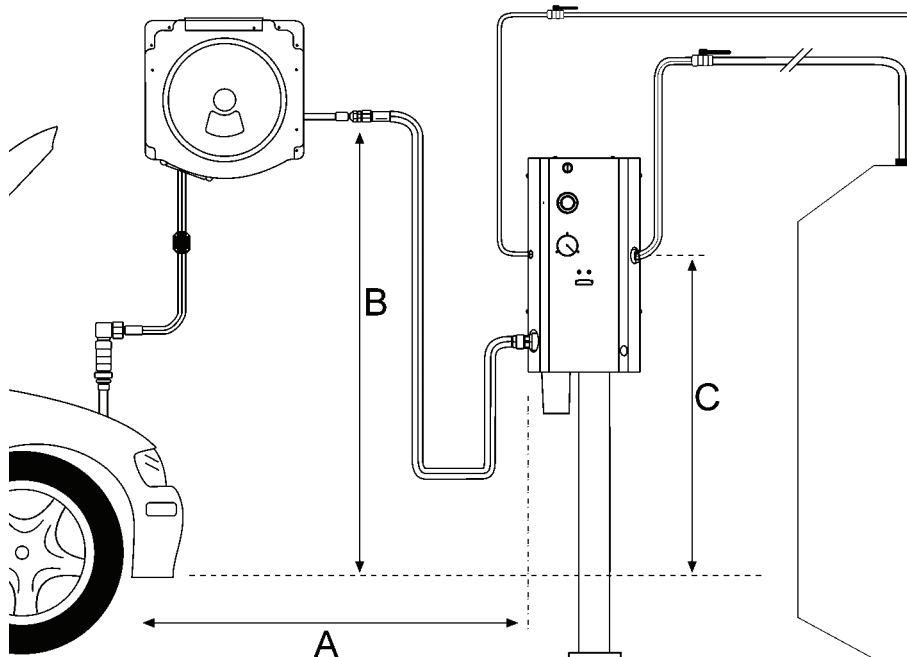


FIG. 1

Installation with hose reel

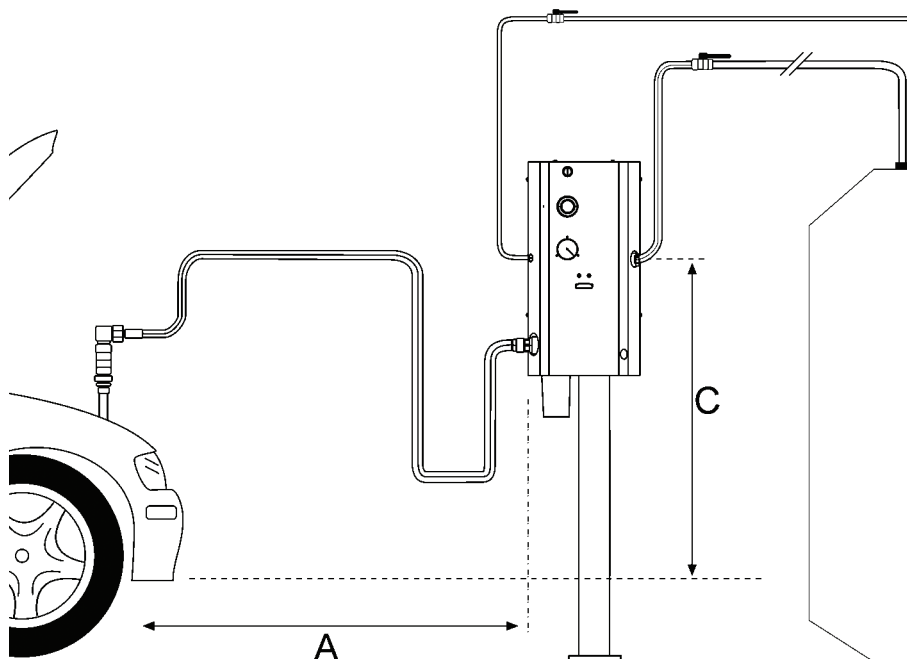


FIG. 2

Installation without hose reel

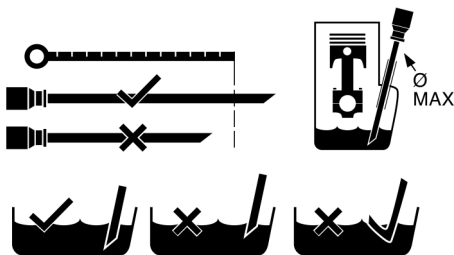
- 🇬🇧 A. 15 m. Maximum distance between the pump and the suction point including inlet hose reel.
- B. 3,5 m. Recommended maximum height between suction point and hose reel axle.
- C. 1,25. Recommended maximum distance between outlet pump valve and waste oil level in the engine.

WASTE OIL SUCTION UNIT

PART NO 317-46 / ART.NR. 317-46

OPERATION / ANVÄNDNING

160 °F / 70 °C



1. Evacuate hot oil after running motor for five minutes (oil at 160°F, 70°C).

2. If motor does not have an incorporated suction adapter then:

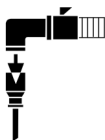
- Select a suction wand longer than the dipstick and, to ensure rapid evacuation, of the maximum diameter that will pass to the bottom of oil sump.
- Insert suction wand into dipstick tube. Move wand up and down until it can be felt gently touching the bottom of oil sump.
- Double check the position of wand, make sure that it is just touching the bottom of oil sump.



3. Set running timer to the minimum adequate cycle time (5 to 15 minutes maximum). Excessive dry running may damage this equipment.



4. Pull to open main control valve. Equipment will start. Wait a few seconds for vacuum to build up and until vacuum gauge is in the green zone.



5. Take the suction hose and insert hose end suction nozzle into either the motor's incorporated suction adapter or into the suction wand coupler.



6. Open hose end suction nozzle valve.

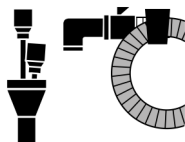


7. Check that used oil is flowing through transparent hose and that vacuum gauge remains in the green zone.



8. When bubbles appear in transparent hose and vacuum gauge leaves the green zone, then wait a few seconds to clear used oil from suction hose and gauge is in the red zone. Next close hose end suction nozzle valve.

9. Remove suction hose. If suction wand is inserted, then remove and clean with shop cloth.



10. Push to close main control valve.

WASTE OIL SUCTION UNIT

PART NO 317-46 / ART.NR. 317-46

MAINTENANCE / UNDERHÅLL



WARNING:

Before making any operation, please check that compressed air is disconnected from the unit.

| OPERATION | OPERATION INTERVAL | PROCEDURE |
|------------------------------------|--------------------|---|
| Waste oil inlet filter cleaning | Weekly | 1. Unscrew the cover cap. 2. Unscrew the filter cover. 3. Take out and clean the waste oil filter. |
| Suction hose inspection | Monthly | Inspect the hose for damage and remove possible clogging |
| Cleaning of inner air line filter. | Monthly | 1. Open the cover. Note! Take care when doing this since air hoses might be disconnected. 2. Take out and clean the air line filter placed in the lower part of the combined regulator. It is secured by a bayonet locking device. |

TROUBLESHOOTING / FELSÖKNING



WARNING:

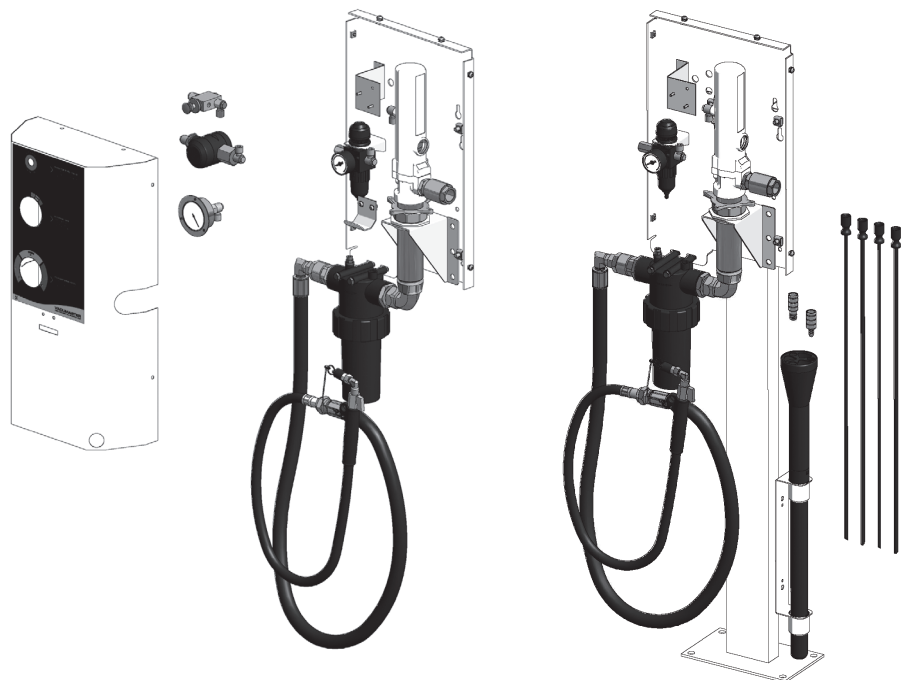
Before making any operation, please check that compressed air is disconnected from the unit.

| SYMPTOM | POSSIBLE CAUSES | SOLUTION |
|--|--|--|
| Pump does not give suction or suction is very low | Dirt in the filter / probe / connector Too low air pressure | 1. Clean the filter / probe / connector 2. A) Increase the air pressure in the air regulator B) Increase the air pressure outside the unit |
| Unit is not extracting waste oil completely from the crank case. | 1. Wrong use of the unit (Flexible probe has been inserted too far, the probe has reached the bottom and has been bent upwards) 2. A) The vehicle has a lower supplementary crank case so waste oil cannot be extracted completely. B) Crank case geometry does not allow the complete extraction 3. Waste oil temperature is too cold 4. Clogged probe and/or connector | 1. Take the probe out so that it gets submerged into the oil 2. A-B) Take waste oil out through the lower cap. This unit is not suitable for that kind of vehicles 3. Run the engine to heat up the waste oil 4. Clean probe and/or connector |

SPARE PARTS / RESERVDLAR



Spare parts available upon request.



DECLARATION OF CONFORMITY / DEKLARATION OM ÖVERENSSTÄMMELSE / KONFORMITÄTSEKTLÄRUNG

We hereby declare that the models of our pumps in this manual, are manufactured in conformity to the 89/392/EEC rule and its amendments 91/398/EEC, 93/44/EEC & 93/68/EEC.



EUROLUBE EQUIPMENT AB

Stråsavägen 2, SE-711 76 Storå, Sweden

EMAIL eurolube@eurolube.com PHONE +46 581 836 65 FAX +46 581 409 75

www.eurolube.com